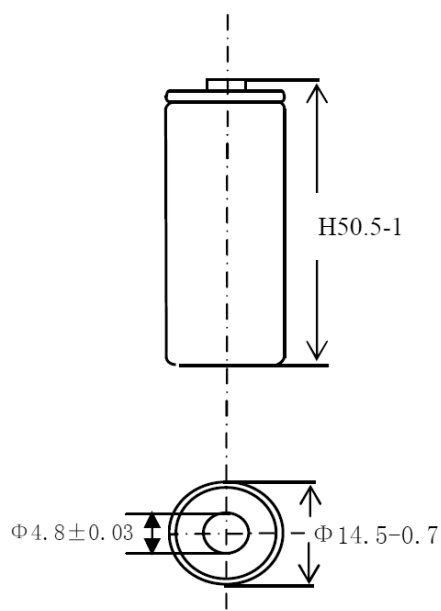




## 'Pro Alkaline' High Performance Battery LR6 AA



<b>Designation IEC:</b>	LR6
<b>Nominal voltage:</b>	1.5V
<b>Designed capacity:</b>	3000 mAh (discharge with high resistance)
<b>Shelf life:</b>	10 years
<b>Weight:</b>	23.2 g
<b>Dimensions (max):</b>	50.5 x 14.5 mm
<b>Temperature ranges:</b>	long-term storage: 10..25°C application/discharge: -20..60°C
<b>Approved standards:</b>	GB/T 8897.2, GB 8897.5, GB8897.5, IEC 60086-1, IEC 60086-2, IEC 60086-3, IEC 60086- 5

### Typical service output (new battery, at 22°C):

Load	Conditions	End Voltage	Time
43Ω	4 h/d	0.9V	93 h
24Ω	15 s/m, 8 h/d	1.0V	48 h 30 min.
3.9Ω	1 h/d	0.8V	8 h 30 min.
3.9Ω	24 h/d	0.9V	6 h 50 min.

